

Rover HVE Extractor

(Models: F354, F354-SM, F354-SP, F354-BUR)

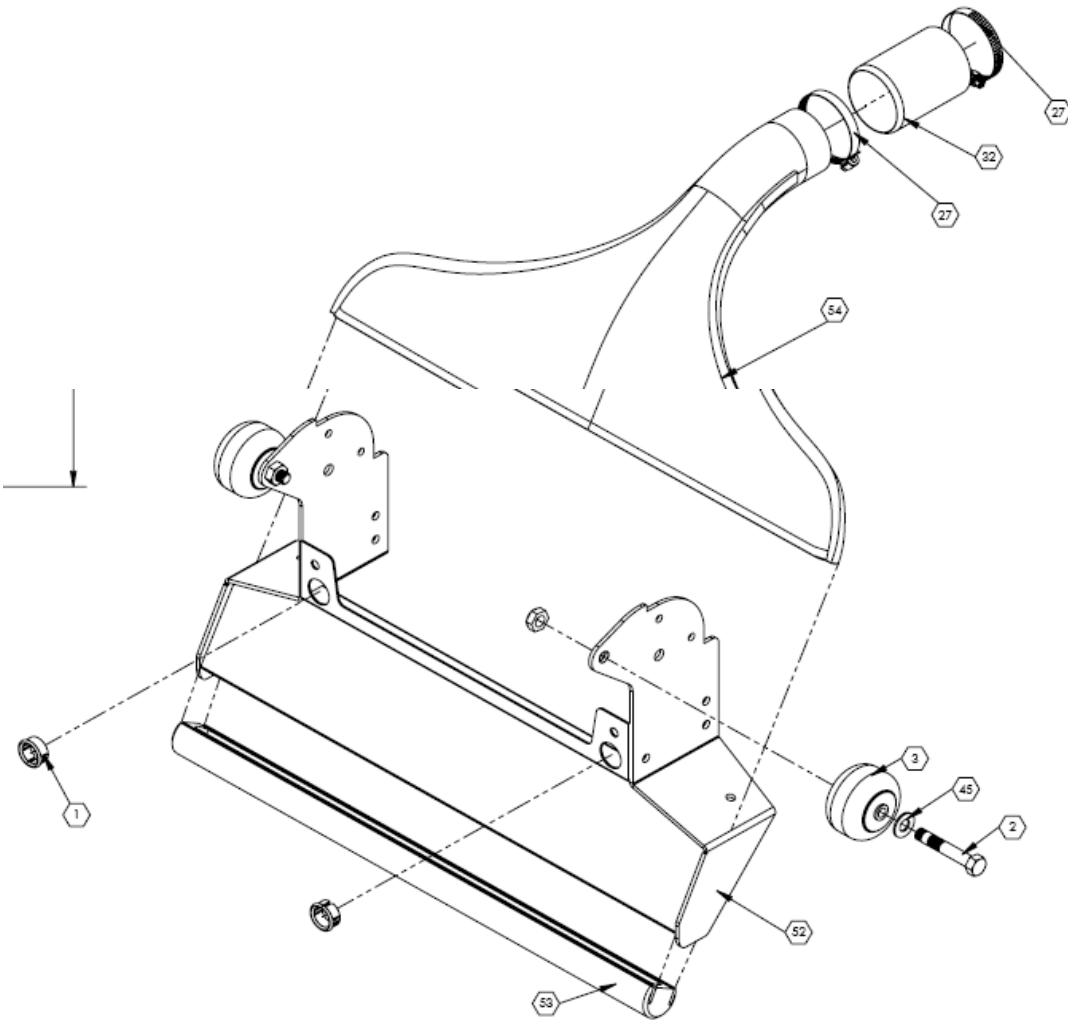
Symbol Definition

- * - multiple components to choose from for different models: voltage, size, color, etc
- + - if you order this item, you may need to order additional items marked with same number of +'s in order to upgrade or complete repair

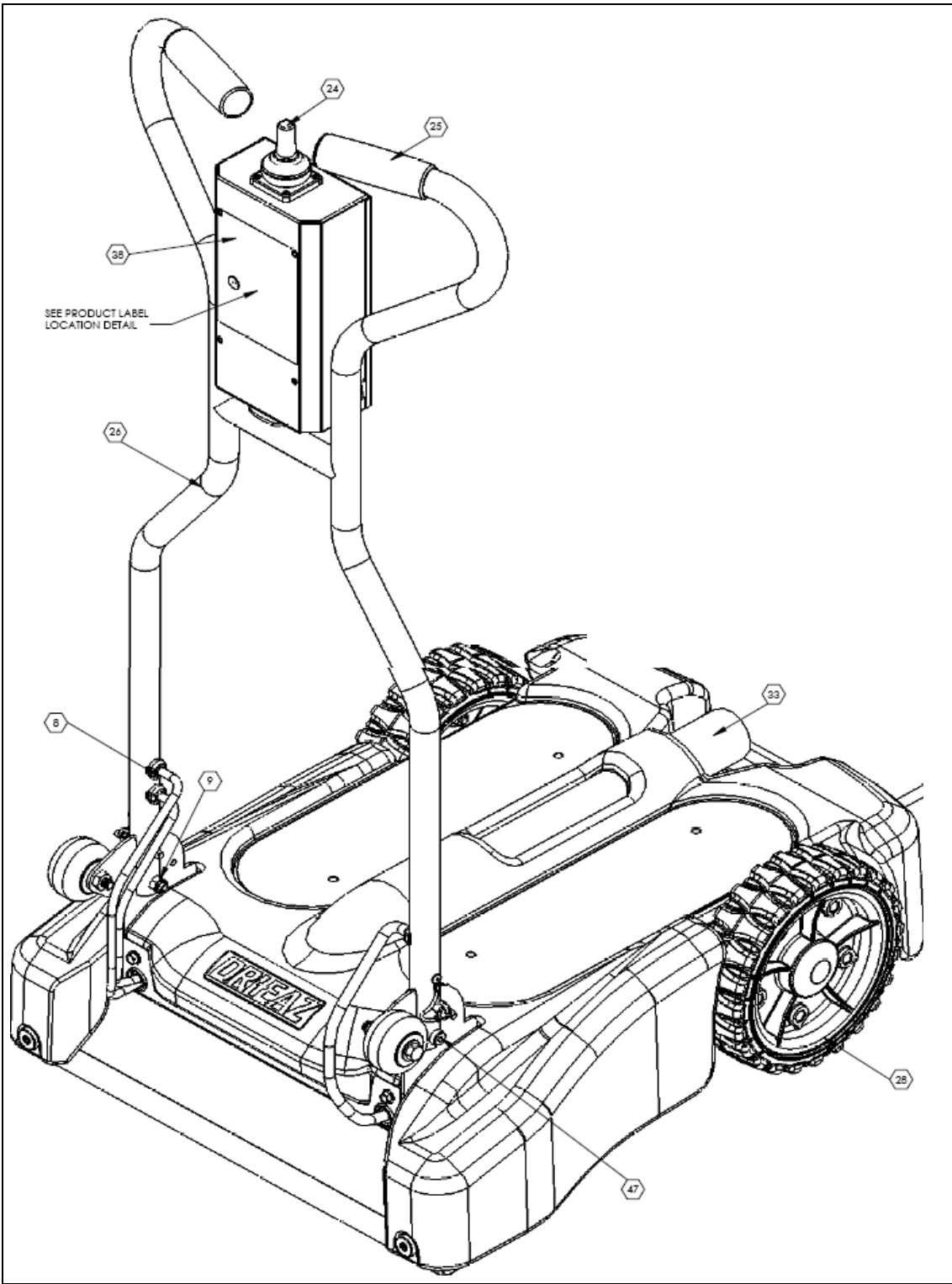
Find #	Part Description	Part #	Measure	Qty
20	SWITCH - ROCKER SPST BLK	02-00012	Each	1
17	CIRCUIT BREAKER - 5A THERMAL	02-01505	Each	1
23	HEAD LIGHT ASSEMBLY - LED 6X	02-01506	Each	1
24	JOY STICK - CONTACTLESS TYPE ROVER HVE	02-01507	Each	1
8	STRAIN RELIEF - LIQUID TIGHT .312 DIA X .13 BLK	02-01508	Each	4
6	ROCKER SWITCH ASSY - ROVER HVE	02-01510-01S	Each	1
43	WASHER - 1/4 RIVET .26 ID X .50 OD X .06 ZP	03-00001	Each	12
55	CABLE TIE - 4" NYLON	03-00012	Each	6
37	NUT - 1/4-20 NYLOC THIN ZP	03-00029	Each	4
	RIVET - 3/16 X 1/2 AL/AL BLK ANOD	03-00030	Each	2
12	NUT - #10-24 W/STAR WASHER ZP	03-00038	Each	4
4	BUSHING - .390 ID X .562 X .406 SPLIT NYLON BLK	03-00050	Each	2
13	NUT - #6-32 NYLOC THIN ZP	03-00051	Each	4
9	NUT - 5/16-18 NYLOC ZP	03-00098	Each	2
1	BUSHING - .671 ID X.875 X.41 SPLIT NYLON BLK	03-00126	Each	4
49	SCREW - 1/4-20 X 1.0 SER HWH ZP	03-00129	Each	8
27	CLAMP - HOSE 2 DIA WORM DRIVE	03-00138	Each	2
	SCREW - AXLE 3/8-16 X 2 1/4 W/NUT ZP	03-00167	Each	2
47	BOLT - SHOULDER 5/16-18 X 3/8 X 1	03-00175	Each	2
	PIN - QUICK RELEASE 1/4 X 1 SS	03-00176	Each	2
31	FOOT - ROUND PUSH MOUNT .83 OD X .24 RUBBER BLK	03-00202	Each	2
	SCREW - M6 X 16MM PH ZP	03-00203	Each	2
	SCREW - 1/4 -20 X 1/2 SER HWH NYLOC ZP	03-00209	Each	8
57	PUSH MOUNT - NYLON TIE	03-00771	Each	3
11	SCREW - #4 X 5/8 CH PHIL ZP	03-01511	Each	4
35	KEYWAY - .187 X .187 X 1.00 STL	03-01533	Each	2
18	SPACER - .250D X .05 WALL X .50 ALUM	03-01536	Each	4
	SCREW - M5 X 14 GR 8.8 HH ZP	03-01539	Each	8
44	WASHER - 1/4 USS .31 ID X .75 OD X .06 ZP	03-01540	Each	2
7	SCREW - #8 X 3/8 AB PHP SS	03-01542	Each	6
45	WASHER - 3/8 SAE .406 ID X .88 OD X .065 SS	03-01543	Each	2
14	SCREW - #4 X 3/8 PHP ZP	03-01544	Each	2
	WASHER - 5 MM SPRING LOCK ZP	03-01546	Each	8
38	LABEL - PRODUCT ROVER HVE	07-01550	Each	1
41	LABEL - WARNING ROVER HVE	07-01551	Each	1
	PACKAGING ASSEMBLY - 115V ROVER HVE	07-01564	Each	1
	CABLE ASSEMBLY - CARPET CLAMP LEASH SAHARA	09-00062	Each	2
32	SLEEVE - 2 X 3 VINYL BLK	13-00076	Each	1
25	GRIP - HANDLE 1.0 ID BLK	13-00142	Each	2
3	WHEEL - 2 1/2 X 1 3/8 X 3/8 BORE GRY	13-00156	Each	2
28	WHEEL ASSY - 8.50 DIA W/ DUST CAP EXTRACTOR	13-01507	Each	2
21	CONTROLLER - DRIVE AC TO DC EXTRACTOR	13-01509	Each	1
30	DRIVE MOTOR ASSY - RIGHT 115V 20 RPM 90VDC OUTPUT EXTRA	13-01517	Each	1
51	DRIVE MOTOR ASSY - LEFT 115V 20 RPM 90VDC OUTPUT EXTRA	13-01518	Each	1
53	GLIDE - TEFLON 1.375 DIA RND ROVER HVE	13-01519	Each	1

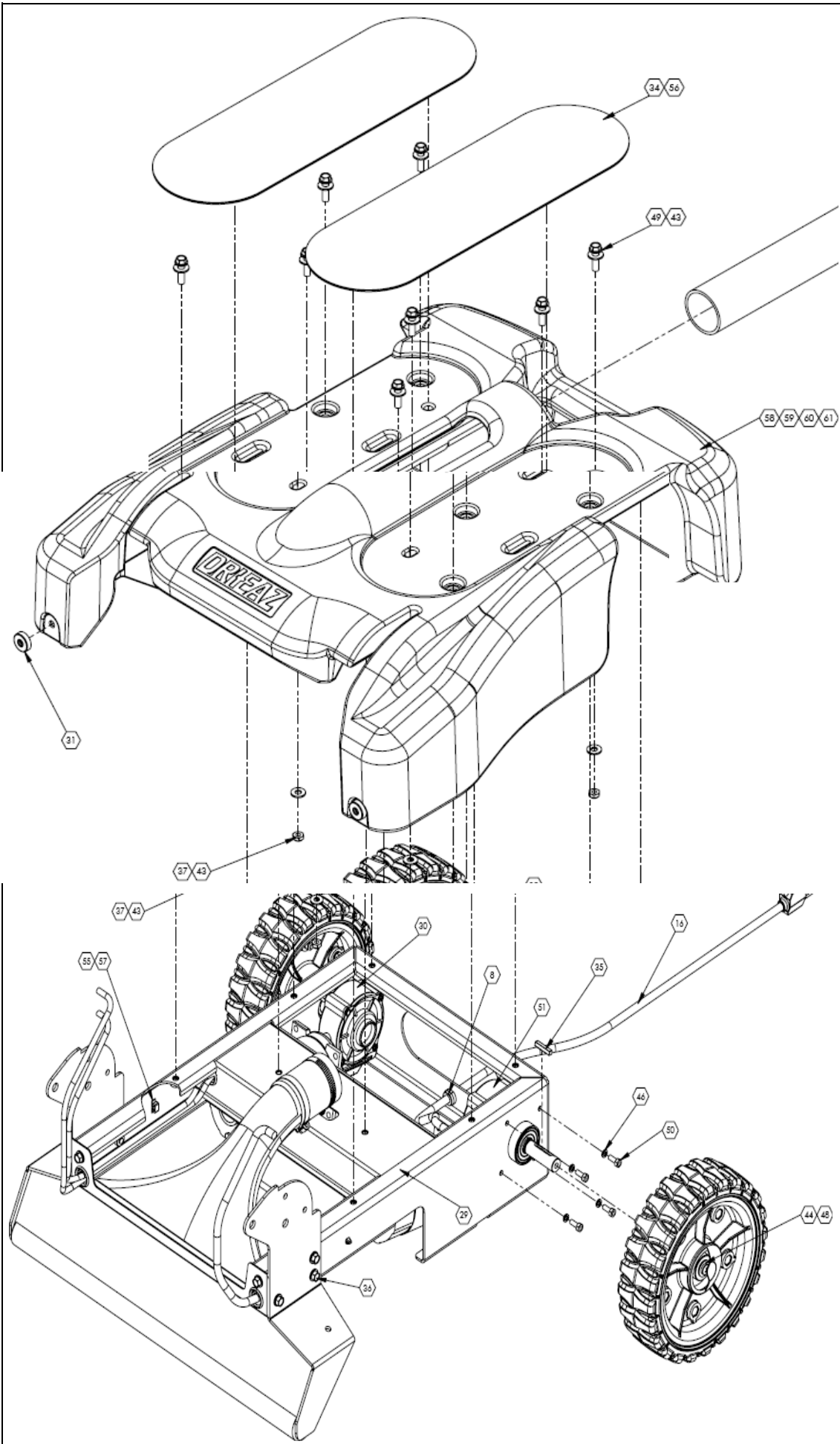
Find #	Part Description	Part #	Measure	Qty
	BASE FRAME ASSY - SS EXTRACTOR	13-01521	Each	1
26	HANDLE ASSY - ROVER HVE	13-01524	Each	1
	COVER - ELECTRICAL BOX SS EXTRACTOR	13-01525	Each	1
52	EXTRACTION HEAD ASSY - SS ROVER HVE	13-01527	Each	1
54	VACUUM NOZZLE - EXTRACTOR	13-01528	Each	1
33	TUBE - VACUUM 2.00 OD X .13 WALL X 13.32 PC CLEAR	13-01530	Each	1
34	FOOT PLATE - SS EXTRACTOR	13-01531	Each	2
56	GRIP TAPE - 5.10 X 16.40 3100 BLK EXTRACTOR	13-01532	Each	2
16	POWER CORD ASSY - 16/3 SJTW 5-15P 50FT ROVER HVE	13-01533	Each	1
61	DECK - POLYETHYLENE FISHER BLU ROVER HVE	13-01545S	Each	1
59	DECK - POLYETHYLENE TEAL GREEN ROVER HVE	13-01545-01S	Each	1
60	DECK - POLYETHYLENE TURF GREEN ROVER HVE	13-01545-02S	Each	1
	DECK - POLYETHYLENE BRIGHT YELLOW ROVER HVE	13-01545-03S	Each	1
58	DECK - POLYETHYLENE BURGANDY RED ROVER HVE	13-01545-04S	Each	1
	DECK - POLYETHYLENE ECONO BLACK ROVER HVE	13-01545-05S	Each	1
	DECK - POLYETHYLENE REIN ORANGE ROVER HVE	13-01545-06S	Each	1
	DECK - POLYETHYLENE PEARL RED ROVER HVE	13-01545-07S	Each	1
	DECK - POLYETHYLENE BRIGHT RED ROVER HVE	13-01545-08S	Each	1
	WIRING HARNESS - ROVER HVE	13-01546	Each	1
	STRAP - VELCRO 2.00 X 15.00 POLYPROPYLENE BLK	13-01547	Each	2

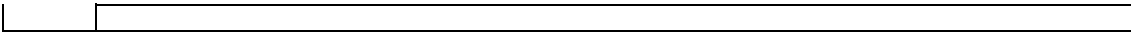
Rover HVE Pictorial Drawings

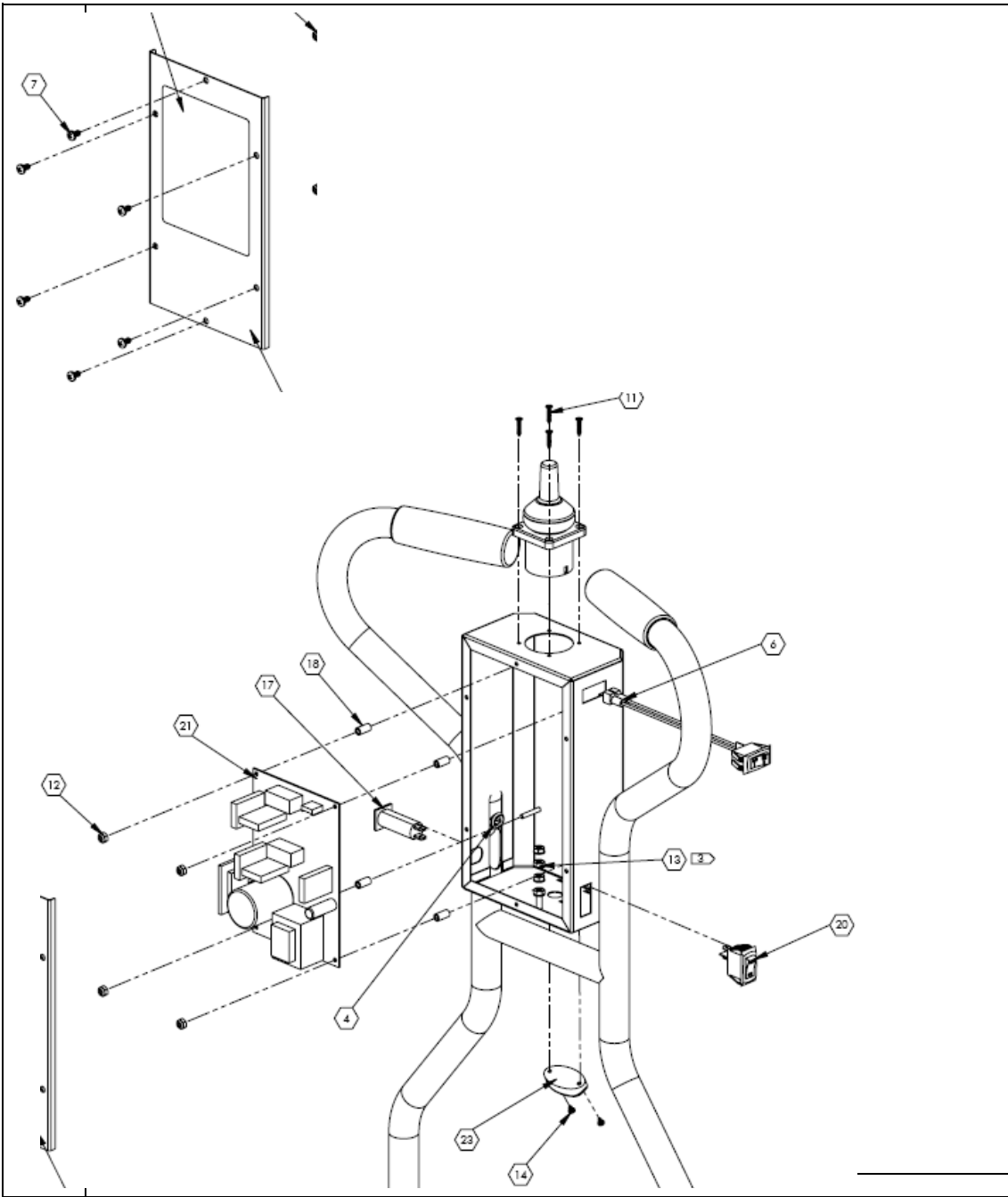


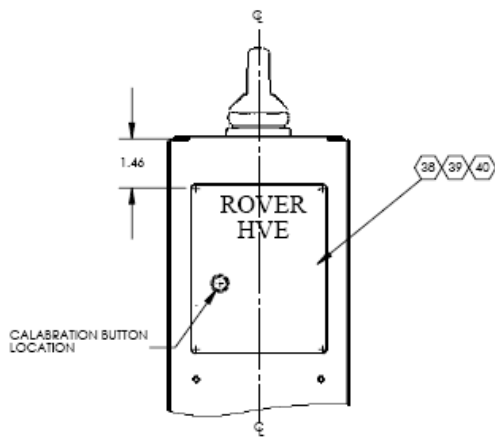
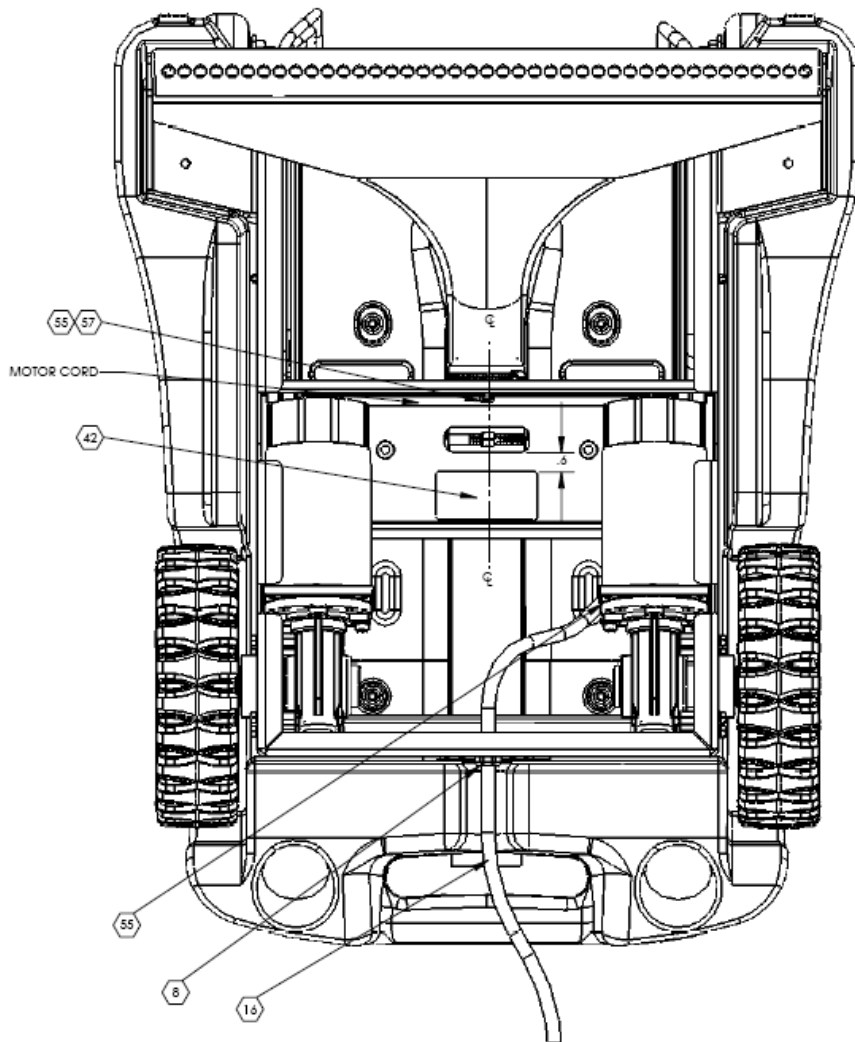
EXTRACTION HEAD ASSEMBLY



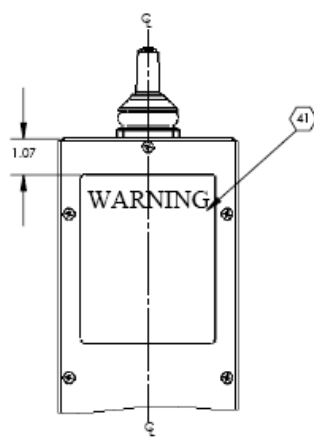








PRODUCT LABEL
LOCATION DETAIL



WARNING LABEL
LOCATION DETAIL